

NetCam SC H.264

MULTI-MEGAPIXEL HYBRID IP CAMERAS

- RGB, CMOS, Frame Transfer, Up to 30 FPS, MJPEG, & H.264
- 10MP (3648x2752) 5MP (2592x1944) 3MP (2048x1536) 1.3MP (1296x976)
- Simultaneous IP Network Video & BNC Coaxial Video Output
- Light Sensitivity: 0.3 Lux color, 0 Lux in IR mode (on IR models w/ IR illuminator)
- Video out BNC, allows viewing of video on standard CCTV monitor, MUX, DVR



VANDAL RESISTANT DOME
Indoor/Outdoor Vandal Resistant Design



HYBRID IP BOX CAMERA
Multi-Megapixel Hybrid IP Camera

FEATURES

- Simultaneous IP Network Video & BNC Coaxial Video Output
- Outputs up to 10 Megapixel, 1080P, 720P and NTSC/PAL
- Up to 28 Times More Resolution than CCTV Cameras
- Operates to -40° Without Heater
- Internal Events trigger NVR / Email / FTP
- Power Over Ethernet, 12VDC or 24VAC
- Available in 1.3, 3, 5, and 10 Megapixel
- Integrated Video Motion Detection
- Automatic Day/Night IR Filter
- DC Auto Iris Support

IMAGING SPECIFICATIONS

- Day/Night mechanical IR filter mechanism, automatic or manual (on IR models)
- Auto/manual exposure, auto/manual color balance, sharpening, auto/manual haze, defective pixel replacement
- Contrast enhancement, gamma correction, DNR (digital noise reduction), adaptive image resolution (low light)
- Integrated video motion detection with Video-on-Motion bandwidth saver mode
- Lens Mount: Industry standard CS-Mount, (C-Mount compatible)

OPERATING SYSTEM / CPU

- Built-in web server, telnet server, email client and FTP client
- Supported protocols: TCP/IP, HTTP, FTP, NTP, Telnet, Daytime, X/Y/Zmodem
- 32MB DRAM, 4MB Flash Memory, 32MB Imaging Buffer
- Security: Password-protected user accounts for viewing and configuring NetCam SC

H.264

- H.264 up to 10 Megapixel resolution
- MJPEG stream available at full speed when using H.264
- Compression Standard: AVC / H.264 (ISO/IEC 14496-10)

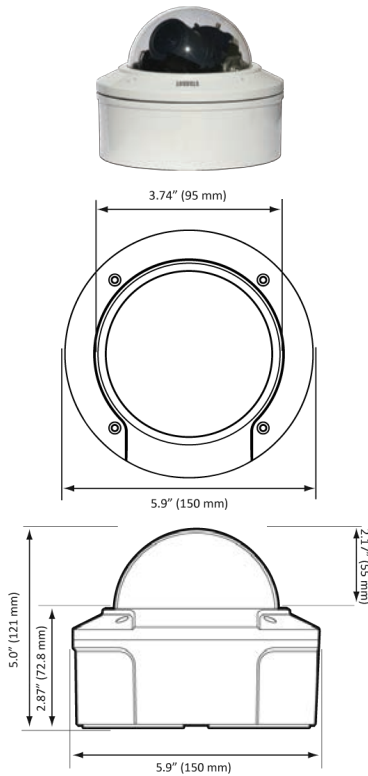


www.stardot.com
Buena Park, CA USA
1-877-275-1616
714-908-2380 • 714-844-4336 fax



NetCam SC H.264

MULTI-MEGAPIXEL HYBRID IP CAMERAS



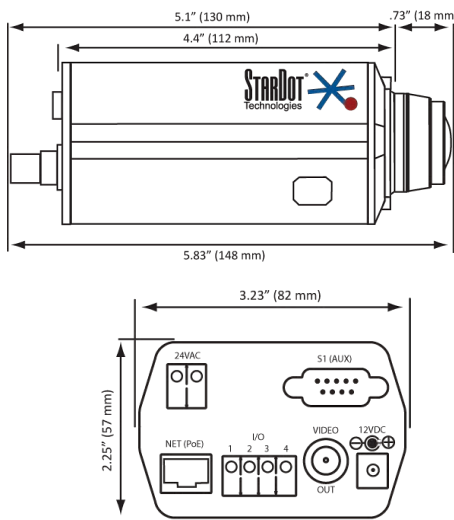
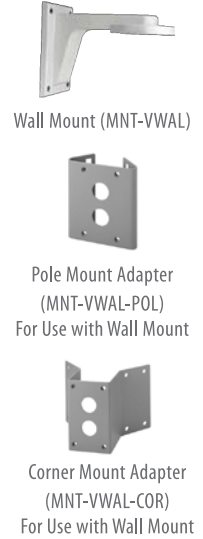
VANDAL RESISTANT DOME

PHYSICAL	
Dimensions	5.9" Diameter (150mm) x 4.7" H (120mm)
Weight	44 Ounces (1247 grams)
Operating Temp	-40° - +120° F (-40° - +48° C)
<ul style="list-style-type: none"> • Power Requirements: 12VDC/ 24VAC/ POE • EMI Approval: FCC Class A, CE (EN55024) 	

CONNECTIVITY	
<ul style="list-style-type: none"> • 1 x 10/100-baseT, RJ-45, PoE 802.3af (Power over Ethernet) • 1 x BNC Video Output (NTSC/PAL) • 1 x DC Auto Iris Connector • 1 x RS-232 Serial Port, up to 115.2Kb 	

MODELS	
SDH1000VN	10MP H264 Vandal Resistant Dome with Day/Night
SDH1000V	10MP H264 Vandal Resistant Dome
SDH500VN	5MP H264 Vandal Resistant Dome with Day/Night
SDH500V	5MP H264 Vandal Resistant Dome
SDH300VN	3MP H264 Vandal Resistant Dome with Day/Night
SDH300V	3MP H264 Vandal Resistant Dome
SDH130VN	1.3MP H264 Vandal Resistant Dome with Day/Night
SDH130V	1.3MP H264 Vandal Resistant Dome

OPTIONAL MOUNTS



HYBRID IP BOX CAMERA

PHYSICAL	
Dimensions	3.23"W (82mm) 2.25" H (57mm) 4.4" L (112mm)
Weight	14 Ounces (397 grams)
Operating Temp	-40° - +120° F (-40° - +48° C)
<ul style="list-style-type: none"> • Power Requirements: 12VDC/ 24VAC/ POE • EMI Approval: FCC Class A, CE (EN55024) 	

CONNECTIVITY	
<ul style="list-style-type: none"> • 1 x 10/100-baseT, RJ-45, PoE 802.3af (Power over Ethernet) • 1 x BNC Video Output (NTSC/PAL) • 1 x DC Auto Iris Connector • 1 x RS-232 Serial Port, DB9 Male, up to 115.2Kb • 1 x Fully Isolated Digital Alarm Input • 1 x Fully Isolated Relay Rated at 28VDC 2A or 125VDC 0.5A 	

MODELS	
SDH1000BN	10MP NetCam SC H264 with Day/Night
SDH1000B	10MP NetCam SC H264
SDH500BN	5MP NetCam SC H264 with Day/Night
SDH500B	5MP NetCam SC H264
SDH300BN	3MP NetCam SC H264 with Day/Night
SDH300B	3MP NetCam SC H264
SDH130BN	1.3MP NetCam SC H264 with Day/Night
SDH130B	1.3MP NetCam SC H264

www.stardot.com
 Buena Park, CA USA
 1-877-275-1616
 714-908-2380 • 714-844-4336 fax

