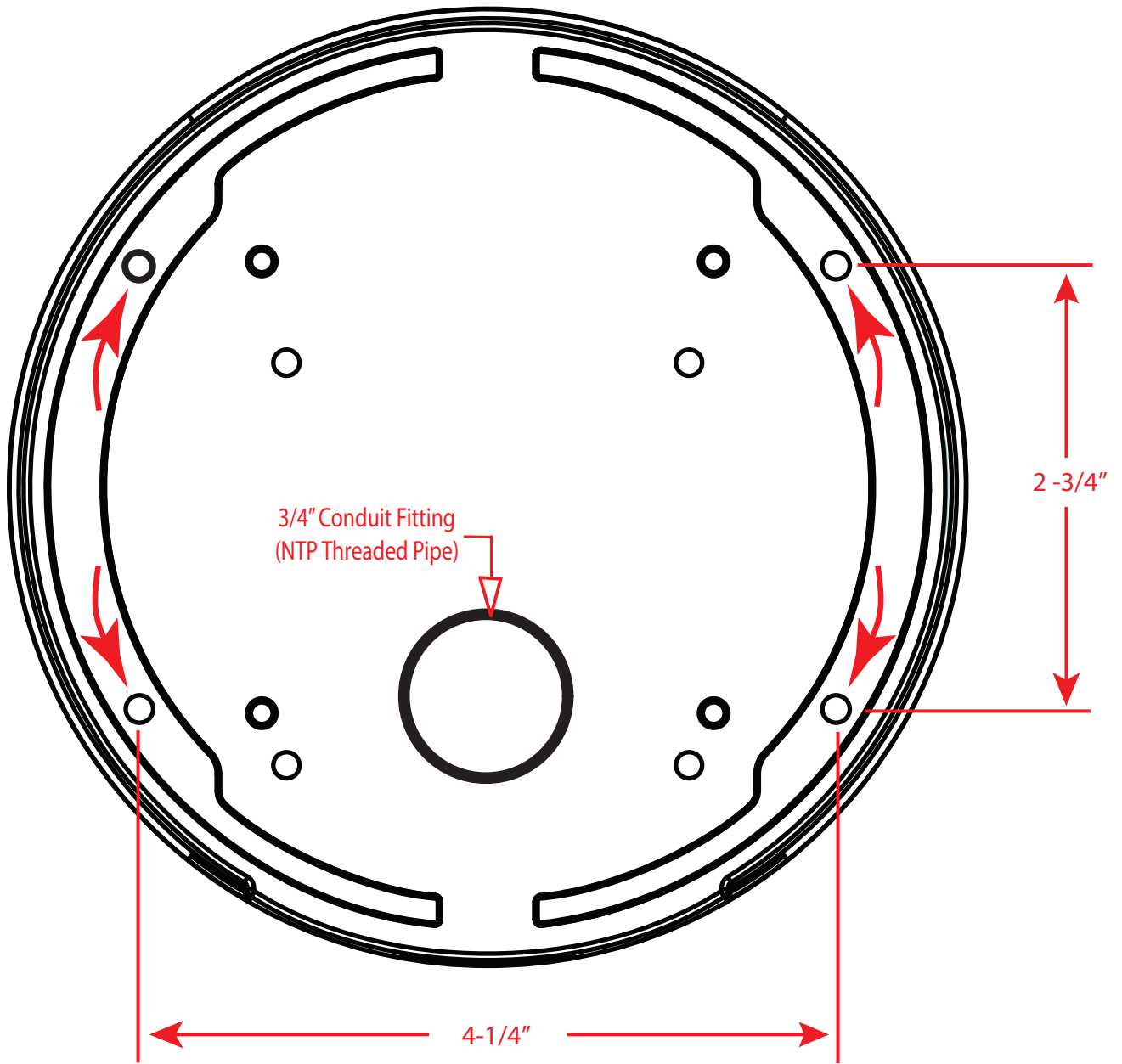


→ Holes for Surface Mount or
4-11/16" Square Box Installation



Dome Mounting Template